

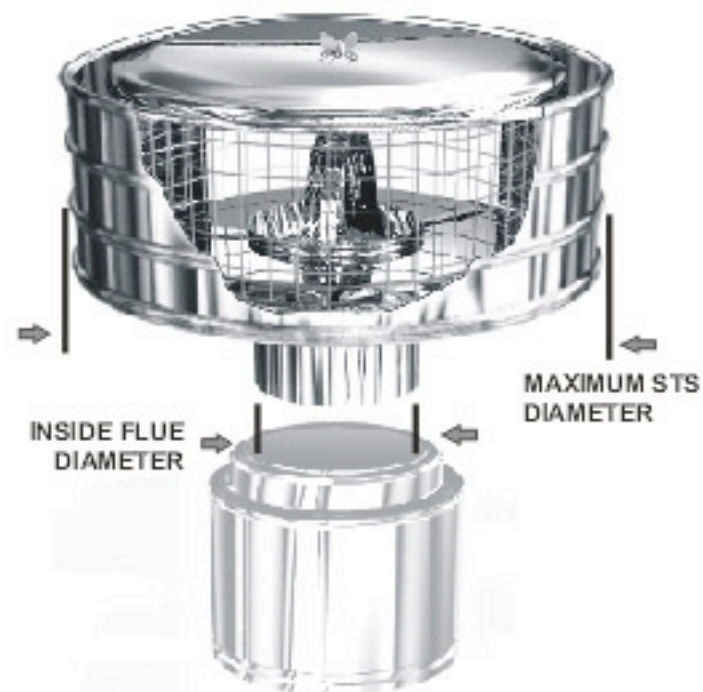
WEATHERSHIELD® SPECIFICATIONS

StormShield® Model STS

Application: For round chimneys other than air cooled and for masonry chimneys using the ICP masonry adapter. This is the ideal cap for coastal locales and other areas where wind and rain are prevalent. Overall height of the unit and the stainless steel shield can be customized to meet unique specifications.

Standard Materials: 100% austenitic stainless steel, stainless steel screen.

Alternate materials: Copper (Model STC) and Type 316 stainless steel (Model STM) for marine environments.



MODEL # (1" SCREEN OPENING*)	MODEL # (1/2" SCREEN OPENING*)	INSIDE FLUE DIAMETER (INCHES)	MAXIMUM DIAMETER (INCHES)	SHIPPING WEIGHT (POUNDS)
STS-3	STS-3-S5	3	12	4
STS-4	STS-4-S5	4	12	4
STS-5	STS-5-S5	5	17	8
STS-6	STS-6-S5	6	17	8
STS-7	STS-7-S5	7	17	8
STS-8	STS-8-S5	8	17	8
STS-9	STS-9-S5	9	20	12
STS 9.5	STS-9.5-S5	9.5	20	12
STS-10	STS-10-S5	10	20	12
STS-11	STS-11-S5	11	23	16
STS-11.5	STS-11.5-S5	11.5	23	16
STS-12	STS-12-S5	12	23	16
STS-13	STS-13-S5	13	23	16
STS-14	STS-14-S5	14	23	16

SIZES: Custom sizes available up to 48". Call for price and specific requirements.

CHIMNEY TYPES: Single wall, solid pack insulated, Class A, B vent, and square or rectangular masonry chimneys using ICP masonry adapter.

SCREENS: Available as noted above in 1" and 1/2" mesh openings. Check local regulations for what is required in your area.

* Nominal dimension



Improved Consumer Products, Inc.

(508) 695-7000 508-695-4209 (fax) www.chimneycaps.com